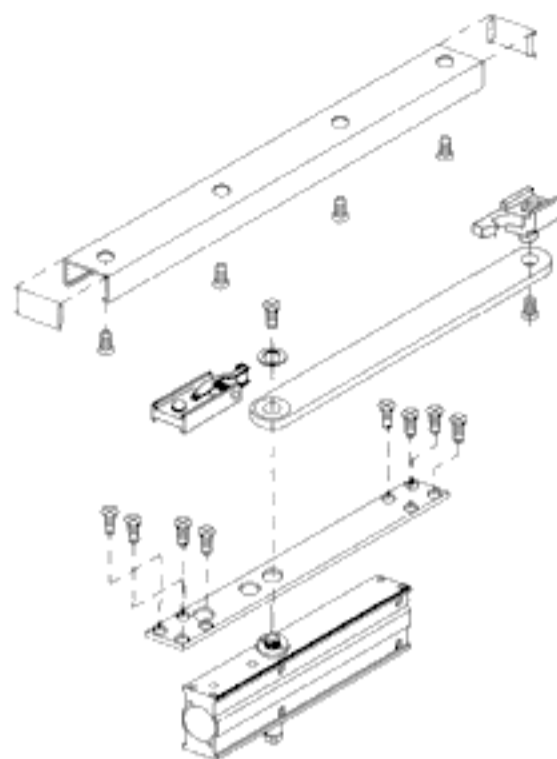
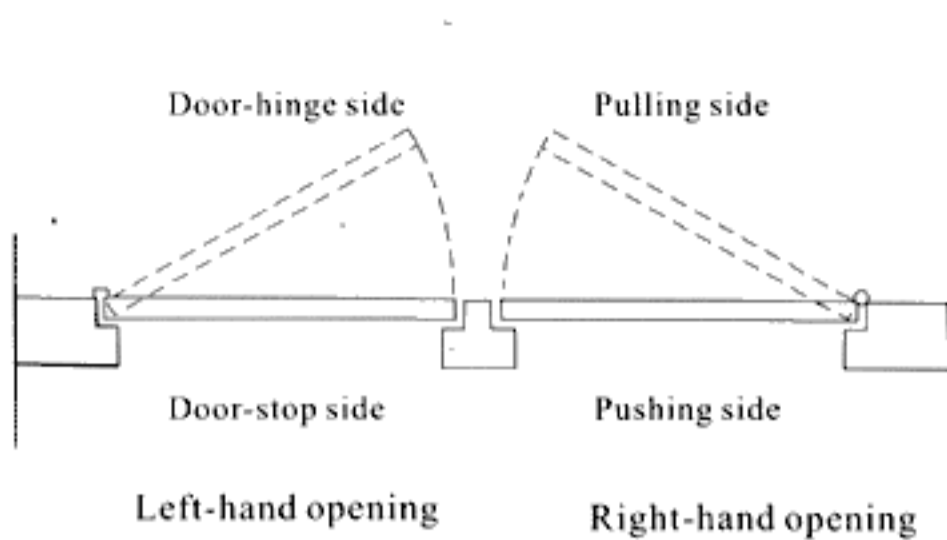
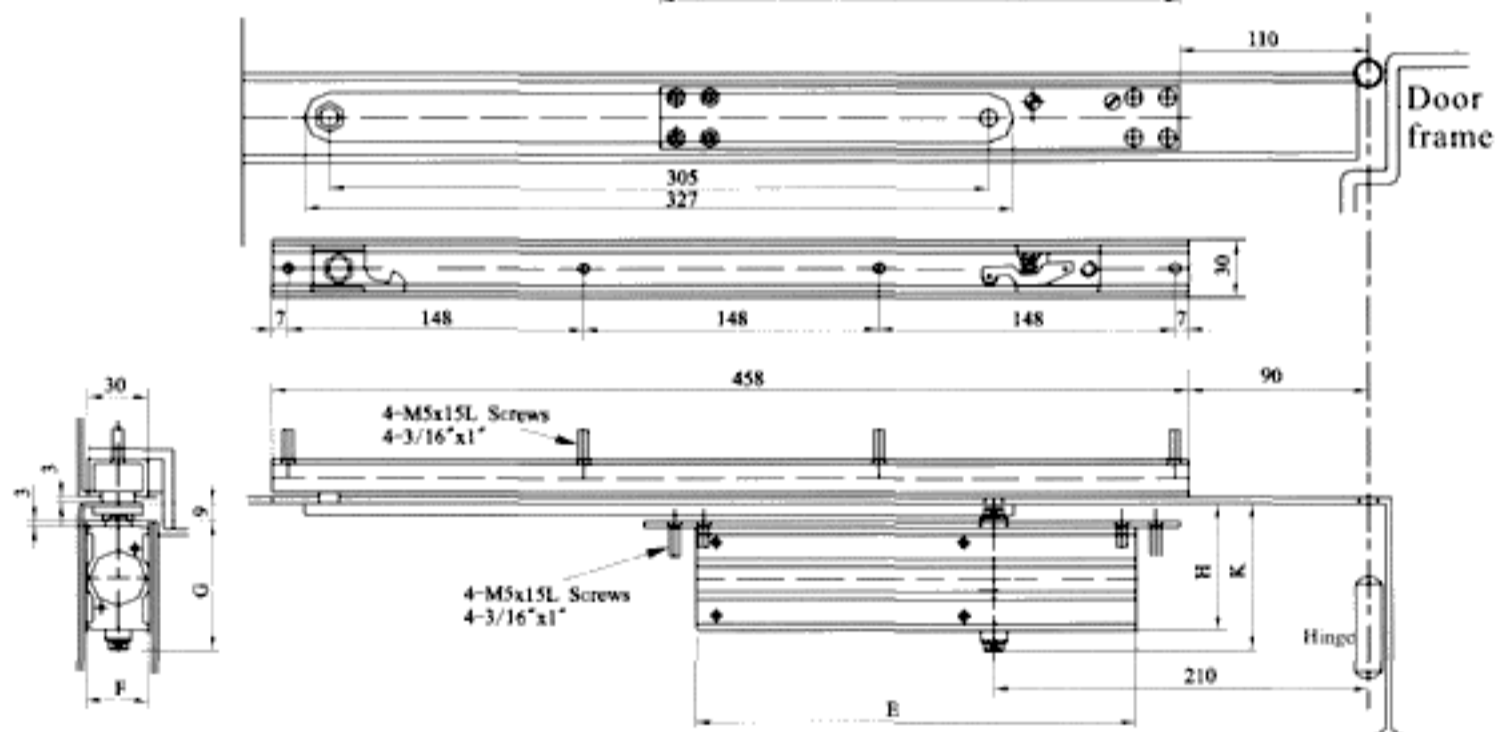
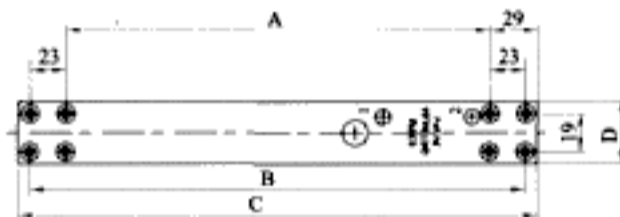


STANDARD INSTALLATION

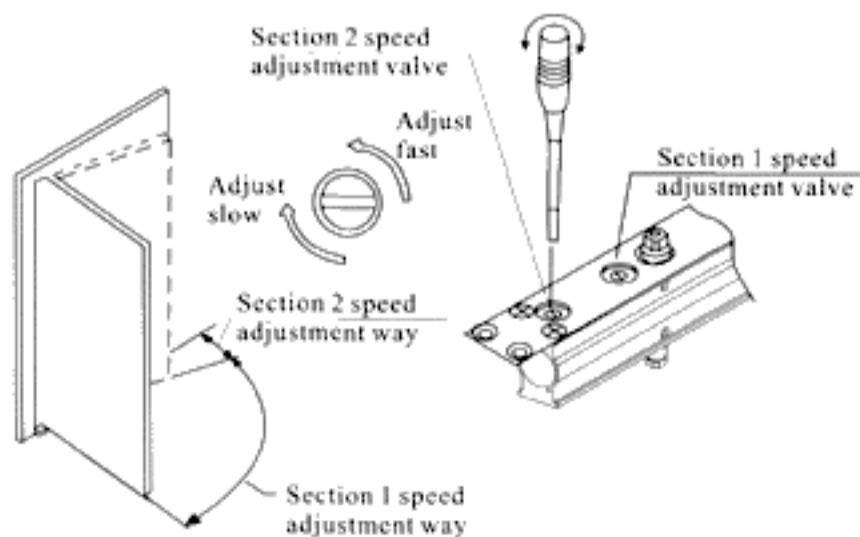


PULL SIDE LEFT INSTALLATION
LEFT HAND DOOR ILLUSTRATED
SAME DIMENSIONS APPLY TO RIGHT HAND DOOR

Measurement Model Number	A	B	C	D	E	F	G	H	K
ZC82	212	258	270	34	220	34	73	72	82
ZC83	212	258	270	31	220	31.5	65	64	74



■ Speed adjust way



■ Opening angle fixing adjust component

