

# DC420



### ASSA ABLOY DC420

- Floor spring with fixed closing force for thin door leaves
- Certified in compliance with EN 1154, size 2/3/4
- Suitable for fire and smoke protection doors
- For double and single action door up to 100kg

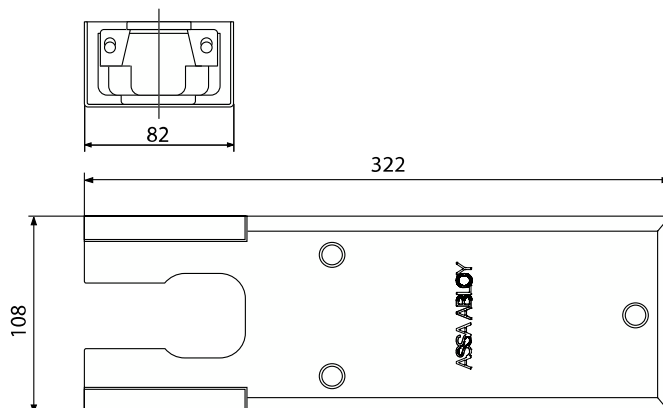
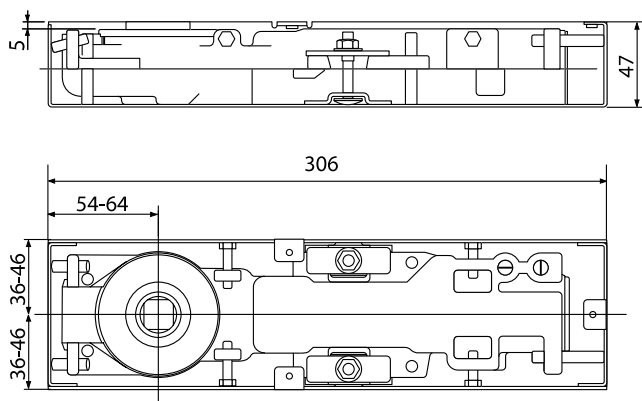
### Characteristics DC420

- One Body size in three fixed force sizes EN2-EN3-EN4
- Hydraulic control over 175° in both door swing directions
- Adjustable closing speed and latching speed from top regulating valves
- Back check effect
- Cast iron body
- Cement box in hot zinc plated
- Interchangeable spindle from 0 to +30mm
- Available with hold-opening angle 90°, 105° and without hold open



CE	ASSA ABLOY Italia S.p.A. Via Bovaresa, 13 40017 San Giovanni in Persiceto Bologna - Italy	04			
	0425 DO.0524	EN 1154:1996+A1:2002	3	8	3 1 1 4

CE	ASSA ABLOY Italia S.p.A. Via Bovaresa, 13 40017 San Giovanni in Persiceto Bologna - Italy	04			
	0425 DO.0525	EN 1154:1996+A1:2002	3	8	4 1 1 4



# DC420

## Technical attributes

Technical attributes	
Variable adjustable closing force	EN2/EN3/EN4
Door width up to	1100 mm
Fire and smoke protection	Yes
Door swing direction	Left / Right handed doors or double action
Closing speed	Variable between 175°- 0°
Latching speed	Variable between 15°- 0°
Hold-open mode	90°/105°/Non Hold Open
Weight	3,7 kg
Height	82 mm
Width	47 mm
Length	302 mm
Certified in compliance with	EN 1154
CE marking for building products	Yes

### The advantages at a glance

Our service for you: here you can see the individual advantages of our door closer models for your respective field of business.

Customer segment	Advantages
<b>Project planners</b>	<ul style="list-style-type: none"> <li>- Extensive range of uses: Fire and smoke protection doors as well as standard doors</li> <li>- Particularly suitable in case of double action glass doors</li> <li>- Recommended for thin door leaves</li> <li>- Hold open at 90°, 105° and non hold open</li> <li>- Variety of available spindles: square Italian, square French, rectangular German</li> <li>- Architectural finishes: coverplate in polished stainless steel, satin stainless steel, polished brass</li> </ul>
<b>Builders</b>	<ul style="list-style-type: none"> <li>- Universal for left/right handed and double action doors</li> <li>- Large range of adjustment within cement box to solve possible alignment problems on the site without taking down the door</li> </ul>
<b>Trade</b>	<ul style="list-style-type: none"> <li>- Reduced inventory costs due to modular product range</li> <li>- One single product suitable for a large variety of mounting positions</li> <li>- Complementary accessories available for the whole product range</li> </ul>
<b>User</b>	<ul style="list-style-type: none"> <li>- Easier door opening and improved accessibility due to Cam-Motion technology</li> <li>- Backcheck feature offers optimum protection for doors and walls</li> </ul>

You can find the complete specification on the internet at: [\(Link of your company's homepage\)](#)

### Specifications for DC420

ASSA ABLOY Floor spring DC420 featuring Cam-Motion technology in compliance with EN 1154

- Closing power, EN sizes 2/3/4, for doors up to 1100 mm wide
- Closing speed, latching speed adjustable from top regulating valves
- CE approved
- 6 mm height adjustable within cement box
- Suitable for Left/Right handed and double leaf doors

### Accessories:

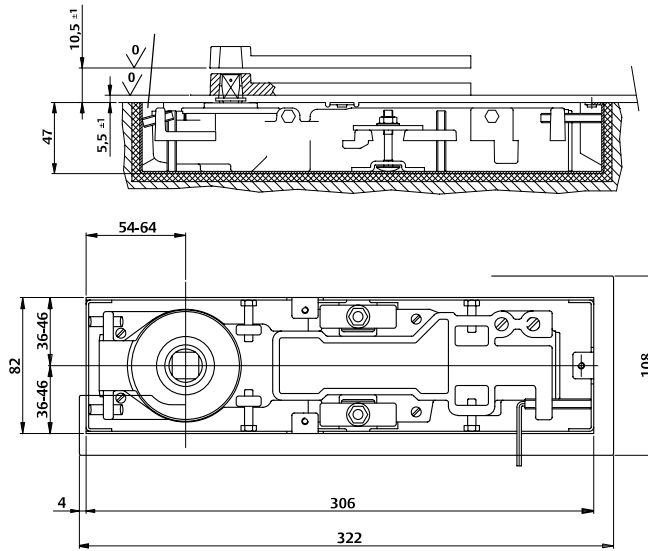
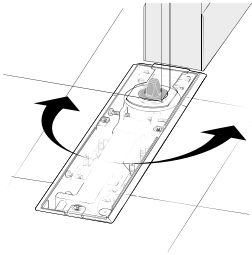
- AC115 - Reversible Bottom Arm Italian spindle
- AC393 - Reversible Bottom Arm German Spindle
- AC8 - Double action Top Pivot
- AC583 - Right and left bottom arm. Square Italian spindle
- AC392 - Right & Left bottom Arm German Spindle
- AC384 - Top pivot for left or right doors
- AC373 - Right bottom arm. Square French spindle
- AC374 - Left bottom arm. Square French spindle
- AC612- Sealing Compound for floor springs
- AC367 - Cover Plate

### Colour:

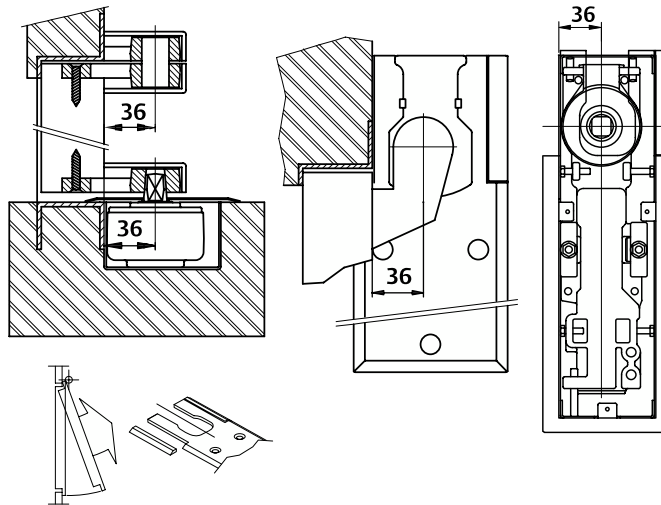
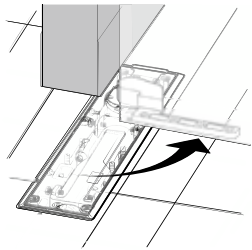
- Polished stainless steel
- Satin stainless steel
- Polished brass

# DC420

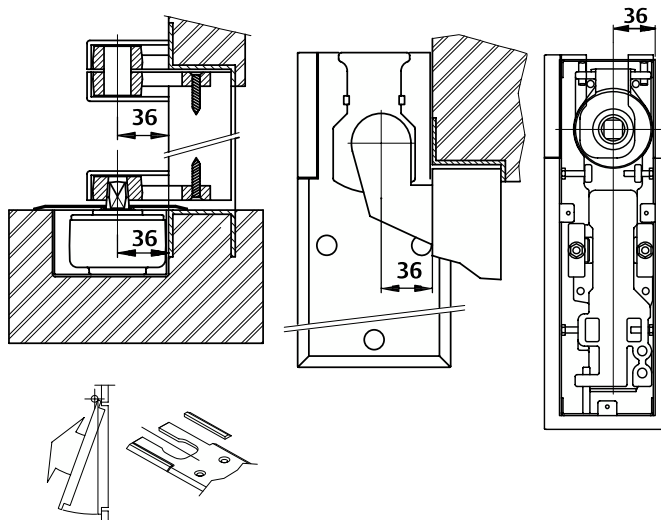
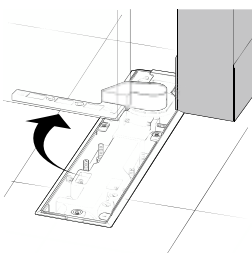
## Dimensional drawings



Double action door mounting.



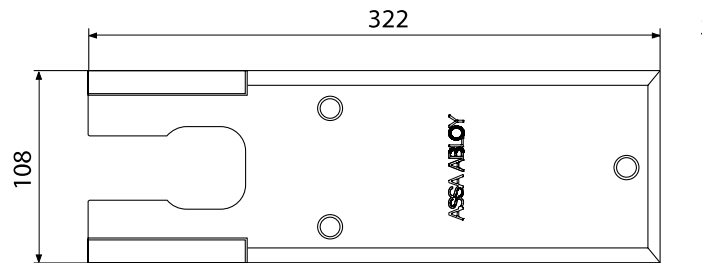
Right-handed door mounting.



Left-handed door mounting.

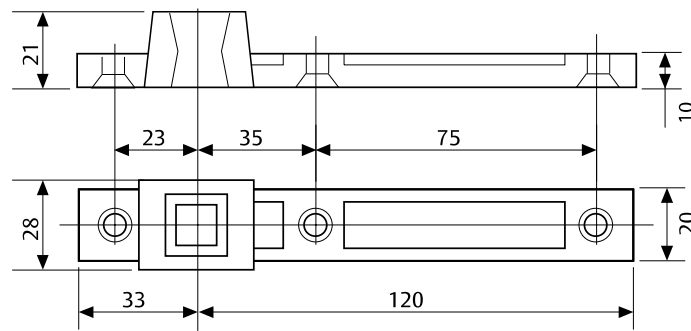
# DC420

## Dimensional drawings



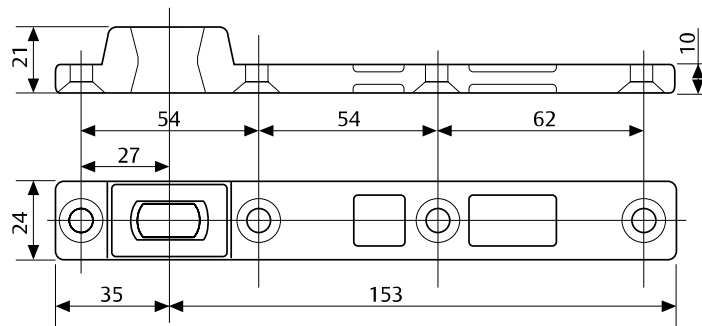
### AC307

Available in satin stainless steel, polished stainless steel and polished brass.



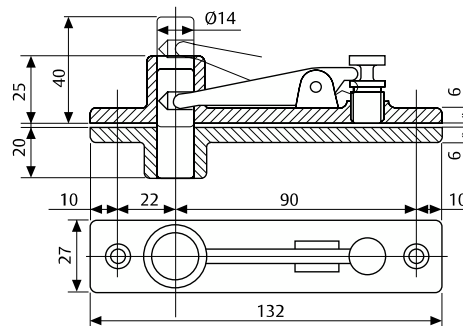
### AC115

Reversible bottom arm in steel for double action doors.



### AC393

Reversible bottom arm in steel for double action doors.

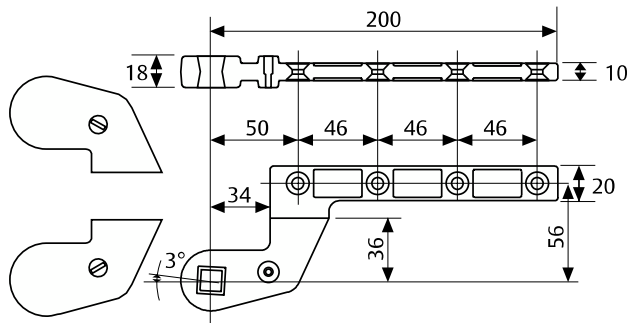


### AC8

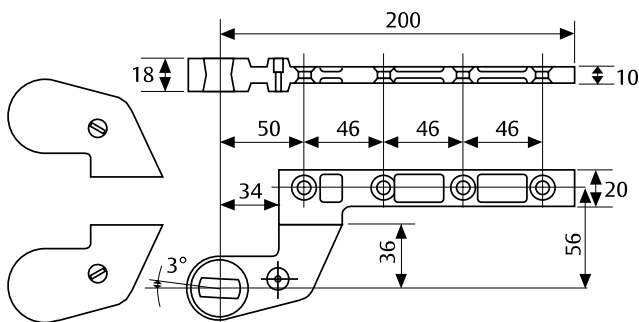
Double action top pivot.

# DC420

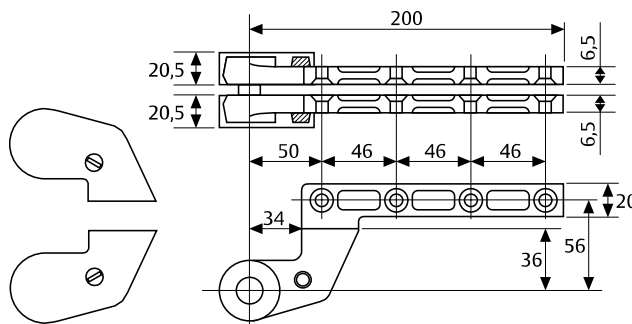
## Dimensional drawings



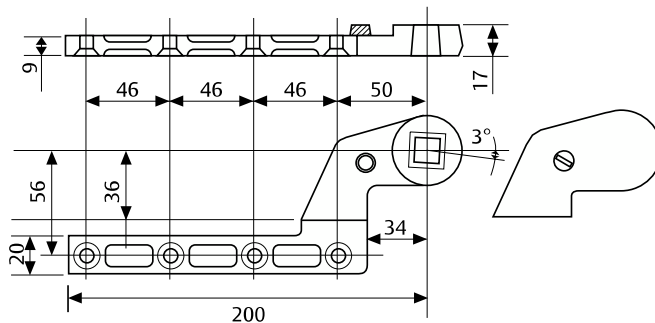
**AC583**  
 Right and left bottom arm in steel for single action doors, 36 mm. offset. Square Italian spindle. Silver painted ABS covers.



**AC392**  
 Right and left bottom arm in steel for single action doors, 36 mm offset. Rectangular German socket. Silver painted ABS covers.



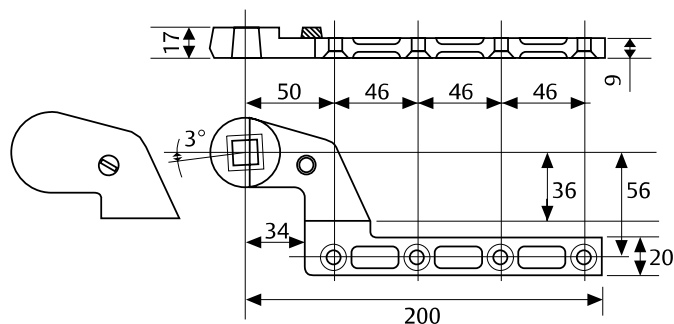
**AC384**  
 Double action top pivot in full steel 36 mm offset. Silver painted ABS covers.



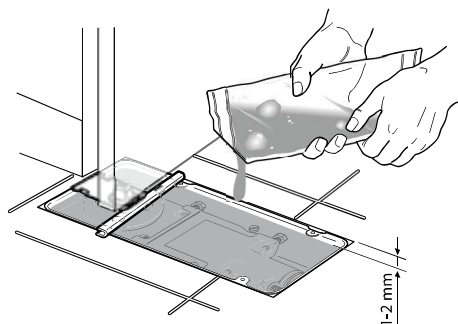
**AC373**  
 Right bottom arm in steel for single action doors, 36 mm offset. Square French spindle. Silver painted ABS covers.

# DC420

## Dimensional drawings



**AC374**  
 Left bottom arm in steel  
 for single action doors  
 Square French spindle.  
 Silver painted ABS  
 covers.



**AC612**  
 Sealing Compound for  
 floor springs.

Detachable spindles

