

DC475



ASSA ABLOY DC475

Floor spring with adjustable closing force for large and very heavy doors. Certified in compliance with EN1154, size 3-6 Suitable for fire and smoke protection doors For double and single action door up to 300kg.

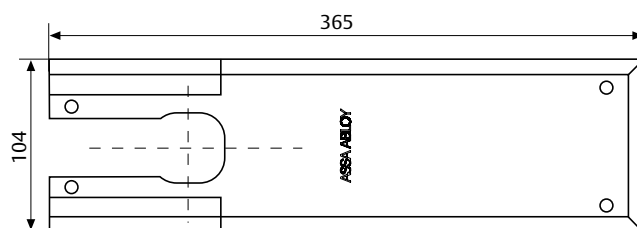
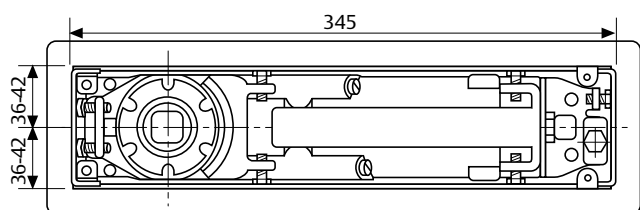
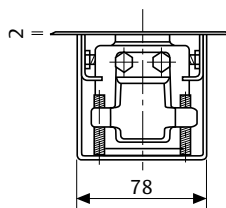
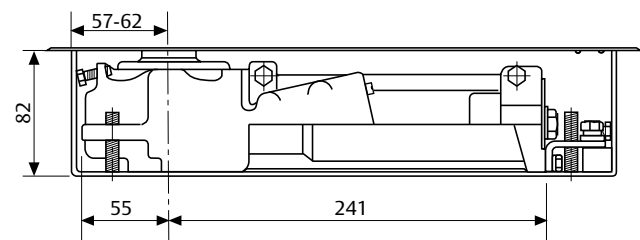
Characteristics DC475

- Closing from 175° in both swings order with hydraulic control from 150°.
- Two thermodynamic valves for consistent performance.
- Adjustable door speed and latching speed from front facing regulator valves.
- Back check effect.
- Cast iron body.
- Cement box in hot zinc plated.
- Interchangeable spindle from 0 to +30mm.
- Available without hold open, with hold-opening angle 90° and 105°.

DC475.2



CE	ASSA ABLOY Italia S.p.A. Via Modena, 68 40017 San Giovanni in Persiceto Bologna - Italy		04			
	0425 DO.0663	EN 1154:1996+A1:2002	3	8	$\frac{3}{6}$	1 1 4



DC475

Technical attributes

Technical attributes	
Variable adjustable closing force	EN 3 -6
Door widths up to	1400 mm
Fire and smoke protection	Yes
Door swing direction	Left / Right hand door or double action
Closing speed	Variable between 150°-0°
Latching speed	Variable between 15°-0°
Hold-open mode	90°/105°/Non Hold Open
Weight	7.3 kg
Height	82 mm
Width	78 mm
Length	345 mm
Certified in compliance with	EN 1154
CE marking for building products	Yes

Here you can see the individual advantages of our door closer models for your personal field of business.

The advantages at a glance

Customer segment	Advantages
Architects & Specifiers	<ul style="list-style-type: none"> - Extensive range of uses: Fire and smoke protection doors as well as standard doors. - Hold open at 90°, 105° and non hold open. - Variety of available spindles: square Italian, square French, rectangular German. - Architectural finishes: coverplate in polished stainless steel, satin stainless steel, polished brass.
Builders & Installers	<ul style="list-style-type: none"> - Universal for Left/Right handed and double action doors. - Overpressure relief valve to protect unit against abuse. - Large range of adjustment within cement box to solve possible alignment problems on the site without taking down the door.
Trade	<ul style="list-style-type: none"> - Reduced inventory costs due to modular product range. - One single product suitable for all fitting applications. - Complementary accessories available for the whole product range.
User	<ul style="list-style-type: none"> - Adjustable operating force to meet door construction requirements and user needs. - Easier door opening and improved accessibility due to cam motion technology. - Backcheck feature offers optimum protection for doors and walls.

You can find the complete specifications on the Internet at:

Specifications for DC475

ASSA ABLOY Floor spring DC475 featuring cam action technology in compliance with EN 1154

- Closing power variable adjustable, EN size 3-6, for doors up to 1400 mm wide
- Closing speed, latch speed adjustable from front facing regulator valves
- With CE marking
- 9 mm height adjustable within cement box
- Suitable for Left/Right hand and double leaf doors

Accessories:

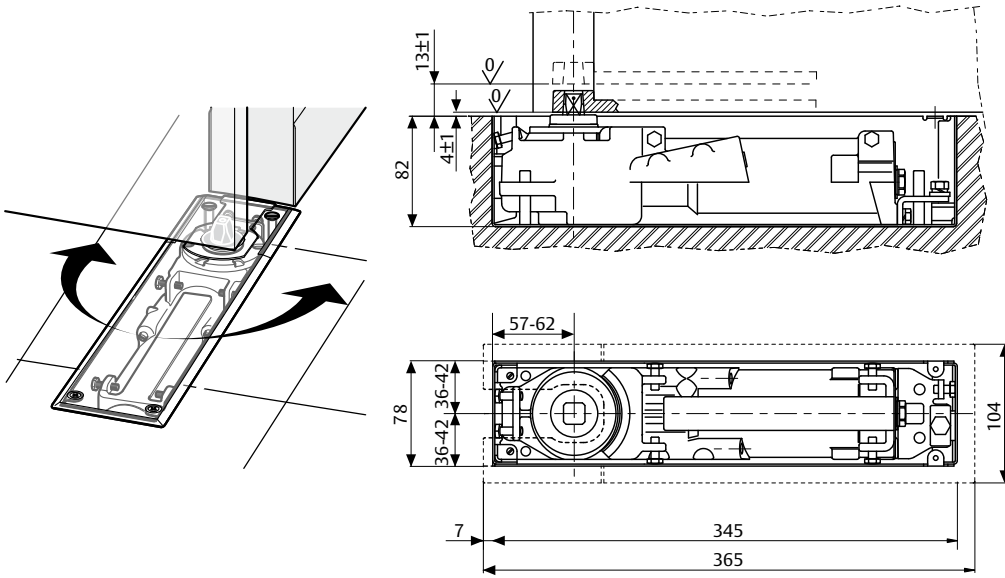
- AC115 - Reversible Bottom Arm Italian spindle
- AC393 - Reversible Bottom Arm German Spindle
- AC8 - Double action Top Pivot
- AC583 - Right and left bottom arm. Square Italian spindle.
- AC392 - Right & Left bottom Arm German Spindle
- AC384 - Top pivot for left or right doors.
- AC373 - Right bottom arm. Square French spindle.
- AC374 - Left bottom arm. Square French spindle.
- AC612- Sealing Compound for floor springs.

Cover plates AC269:

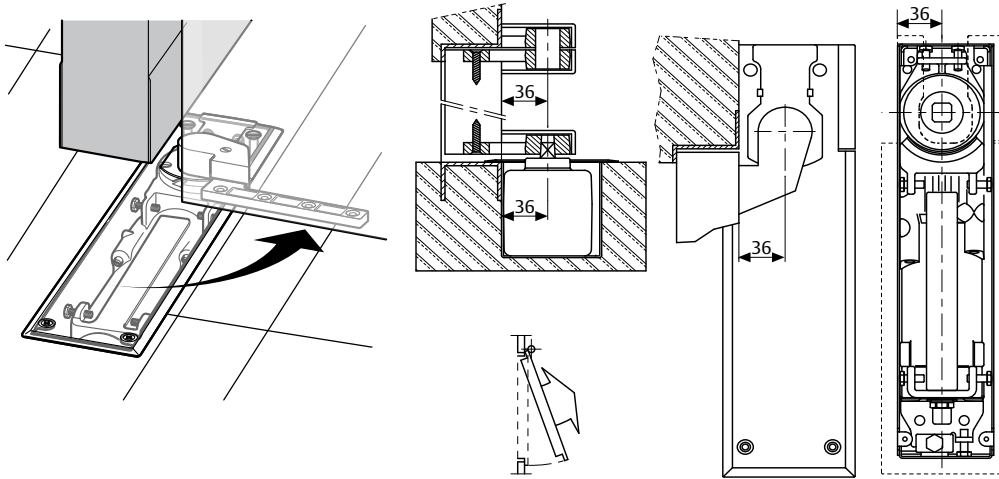
- Polished stainless steel A0269IR
- Satin stainless steel A0269HR
- Polished brass A0269PR

DC475

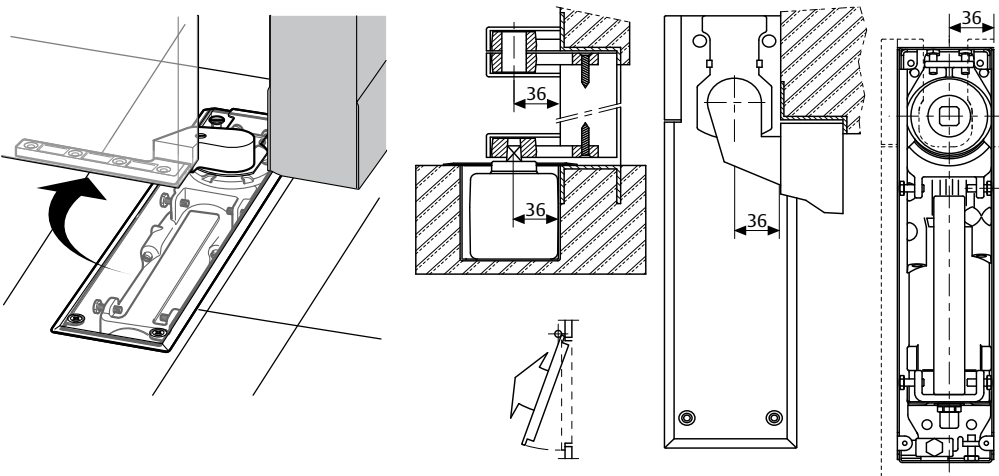
Dimensional drawings



Double action door mounting.



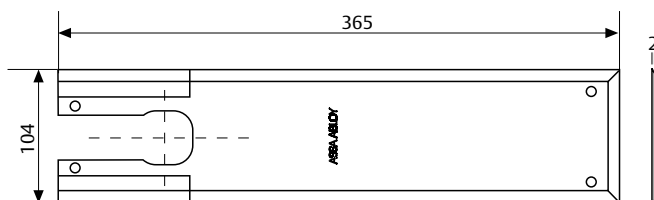
Left-hand door mounting (DIN Right).



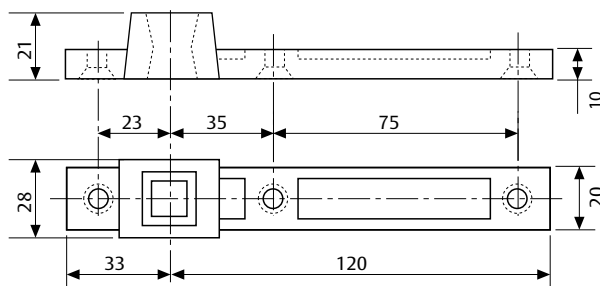
Right-hand door mounting (DIN Left).

DC475

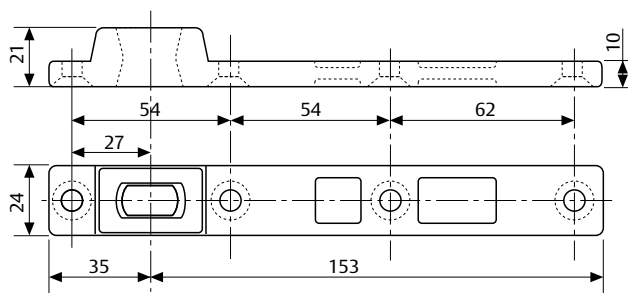
Accessories



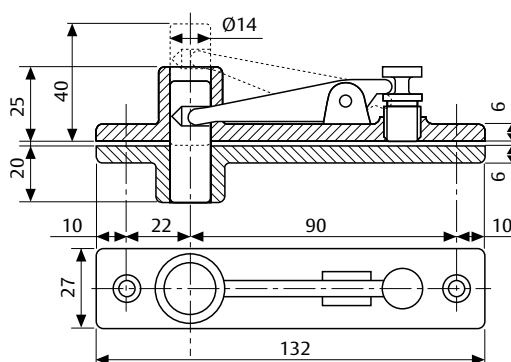
AC269
Available in satin stainless steel, polished stainless steel and polished brass.



AC115
Reversible bottom arm in steel for double action doors. Square Italian spindle



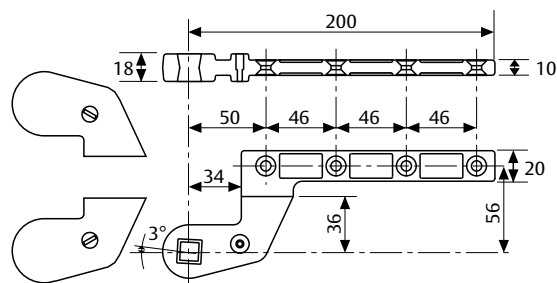
AC393
Reversible bottom arm in steel for double action doors. Rectangular German spindle.



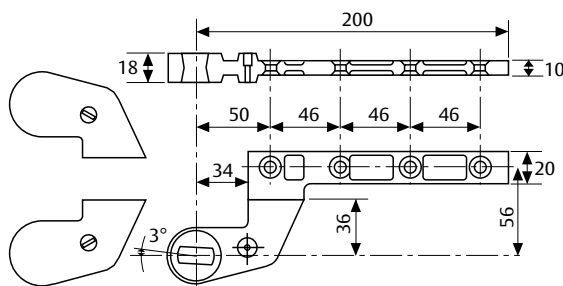
AC8
Double action top pivot.

DC475

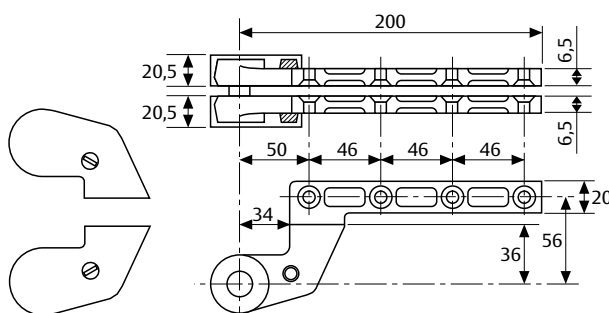
Accessories



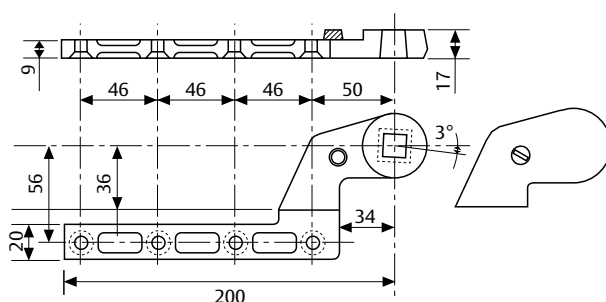
AC583
Right and left bottom arm
in steel for single action
doors, 36 mm. offset.
Square Italian spindle.
Silver painted ABS covers.



AC392
Right and left bottom arm
in steel for single action
doors, 36 mm. offset.
Rectangular German
socket.
Silver painted ABS covers.



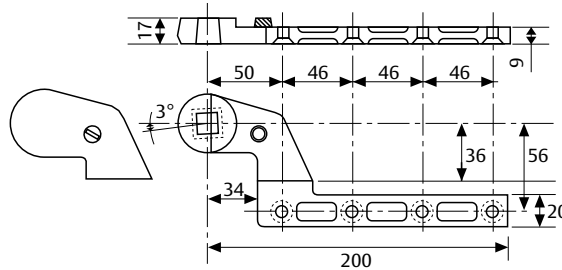
AC384
Double action top pivot in
full steel 36 mm. offset.
Silver painted ABS covers.



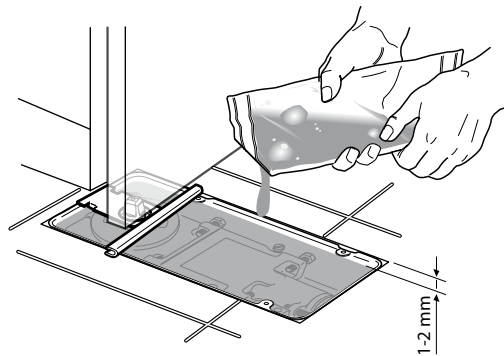
AC373
Right bottom arm in steel
for single action doors,
36mm. offset. Square
French spindle.
Silver painted ABS covers.

DC475

Accessories

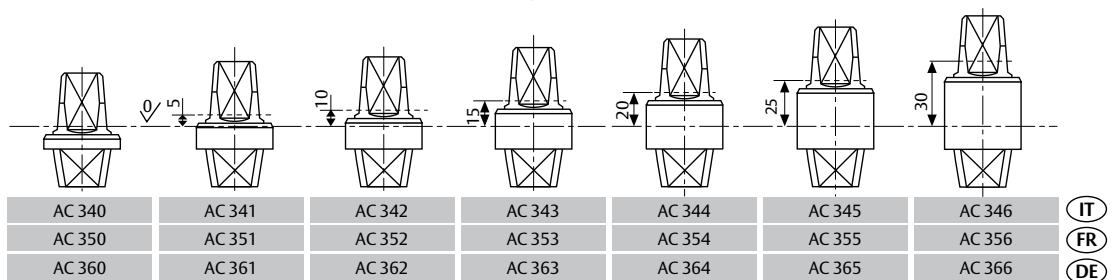


AC374
Left bottom arm in steel for single action doors
Square French spindle.
Silver painted ABS covers.



AC612
Sealing Compound for floor springs.

Detachable spindles



Description	Order no.	Description	Order no.
DC475.0 size 3-6, H.O. 105°		AC8 Double action top pivot.	
DC475.2 size 3-6, without H.O.		AC583 Right and left bottom arm. Square Italian spindle.	
DC475.5 size 3-6, H.O. 90°		AC392 Right and left bottom arm. Rectangular German socket.	
AC269 Cover plate satin stainless steel		AC384 Double action top pivot.	
AC269 Cover plate polished stainless steel		AC373 Right bottom arm. Square French spindle.	
AC269 Cover plate polished brass		AC374 Left bottom arm in steel for single action doors.	
Requested spindle (IT, FR, DE)		AC612 Sealing compound for floor springs.	
AC115 Reversible bottom arm. Square Italian spindle.			
AC393 Reversible bottom arm. Rectangular German spindle.			