

# DC477



## ASSA ABLOY DC477

Floor spring with adjustable closing force  
for large and heavy doors  
Certified in compliance with EN1154, size 2-4  
Suitable for fire and smoke protection doors  
For double and single action doors up to 170kg

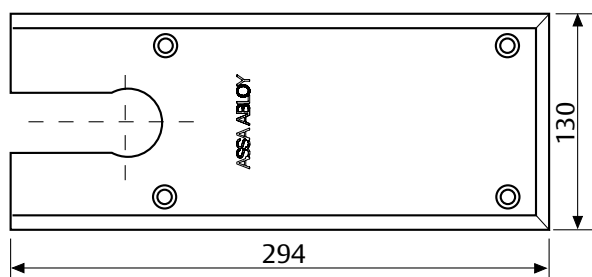
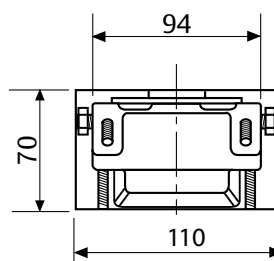
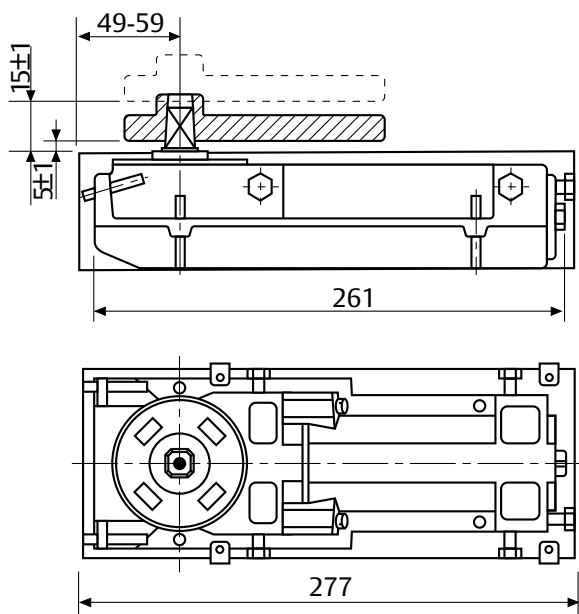
## Characteristics DC477

- from 175° in both swings order with hydraulic control from 150°.
- Two thermodynamic valves for consistent performance.
- Adjustable door speed and latching speed from front facing regulator valves.
- Back check effect.
- Cast iron body.
- Cement box in hot zinc plated.
- Interchangeable spindle from 0 to +30mm.
- Available without hold open, with hold-opening angle 90° and 105°.

## DC477.2



CE	ASSA ABLOY Italia S.p.A. Via Modena, 68 40017 San Giovanni in Persiceto Bologna - Italy			10			
	0425.DO.2221	EN 1154:1996+A1:2002	3	8	2 4	1	1



# DC477

## Technical attributes

Technical attributes	
Variable adjustable closing force	EN 2-4
Door widths up to	1100 mm
Fire and smoke protection	Yes
Door swing direction	Left / Right hand door or double action
Closing speed	Variable between 150°-0°
Latching speed	Variable between 15°-0°
Hold-open mode	90° / 105° / Non Hold Open
Weight	5.4 kg
Height	70 mm
Depth	110 mm
Length	277 mm
Certified in compliance with	EN 1154
CE marking for building products	Yes

### The advantages at a glance

Here you can see the individual advantages of our door closer models for your personal field of business.

Customer segment	Advantages
<b>Architects &amp; Specifiers</b>	<ul style="list-style-type: none"> <li>- Extensive range of uses: Fire and smoke protection doors as well as standard doors.</li> <li>- Hold open at 90°, 105° or any angle from 150° to 180° and non hold open version.</li> <li>- Variety of available spindles: square Italian, square French, rectangular German.</li> <li>- Architectural finishes: cover plates in polished stainless steel, satin stainless steel, polished brass.</li> </ul>
<b>Builders &amp; Installers</b>	<ul style="list-style-type: none"> <li>- Universal for Left/Right handed and double action doors.</li> <li>- Overpressure relief valve to protect unit against abuse.</li> <li>- Large range of adjustment within cement box to solve possible alignment problems on the site without taking down the door.</li> </ul>
<b>Trade</b>	<ul style="list-style-type: none"> <li>- Reduced inventory costs due to modular product range.</li> <li>- One single product suitable for all fitting applications.</li> <li>- Complementary accessories available for the whole product range.</li> </ul>
<b>User</b>	<ul style="list-style-type: none"> <li>- Ideal for residential interiors thanks to adjustable opening/closing force that makes opening/closing easy.</li> <li>- Adjustable operating force to meet door construction requirements and user needs.</li> <li>- Easier door opening and improved accessibility due to cam motion technology.</li> <li>- Backcheck feature offers optimum protection for doors and walls.</li> </ul>

You can find the complete specifications on the Internet at:

### Specifications for DC477

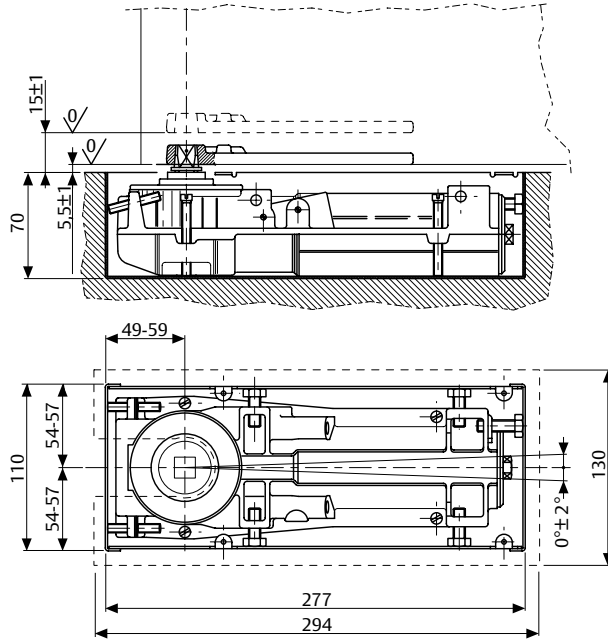
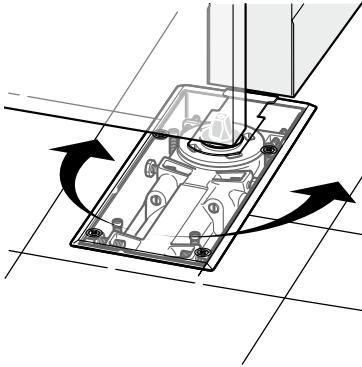
- ASSA ABLOY Floor spring DC477 featuring rack and pinion technology in compliance with EN 1154
- Closing power variable adjustable, EN size 2-4, for doors up to 1100 mm wide
  - Closing speed, latch speed and backcheck adjustable from front facing regulator valves
  - With CE marking
  - 9 mm height adjustable within cement box
  - Suitable for Left/Right hand and double leaf doors

### Accessories:

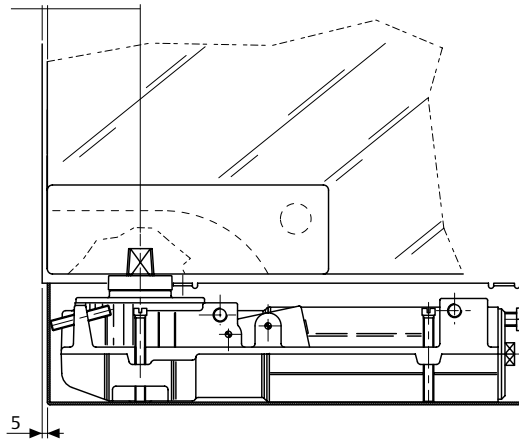
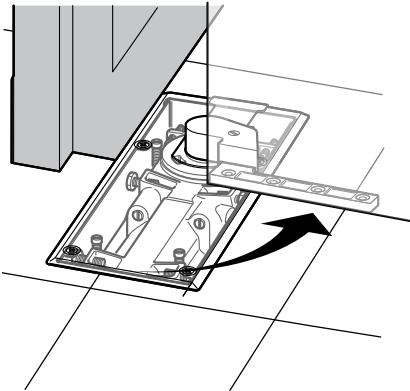
- AC115 - Reversible Bottom Arm Italian spindle
  - AC393 - Reversible Bottom Arm German Spindle
  - AC8 - Double action Top Pivot
  - AC583 - Right and left bottom arm. Square Italian spindle.
  - AC392 - Right & Left bottom Arm German Spindle
  - AC384 - Top pivot for left or right doors.
  - AC373 - Right bottom arm. Square French spindle.
  - AC374 - Left bottom arm. Square French spindle.
  - AC612 - Sealing Compound for floor springs.
- Cover plates AC534:
- Polished stainless steel A0534IR
  - Satin stainless steel A0534HR
  - Polished brass A0534PR

# DC477

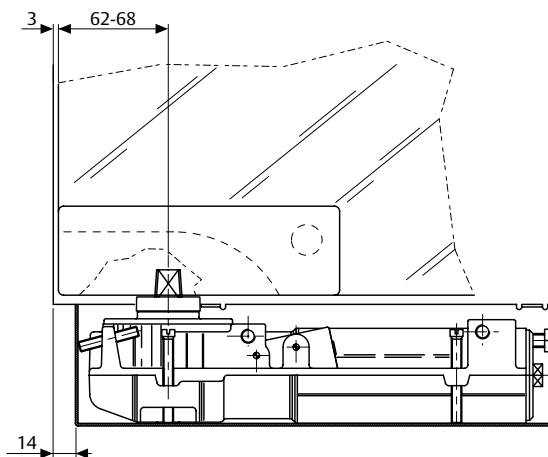
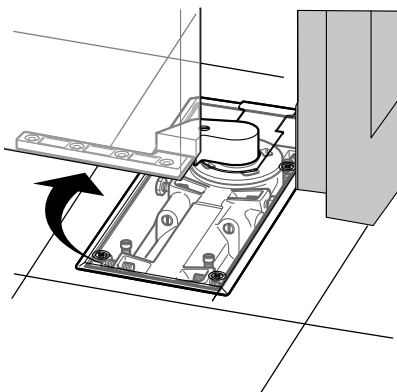
## Dimensional drawings



Double action door mounting.



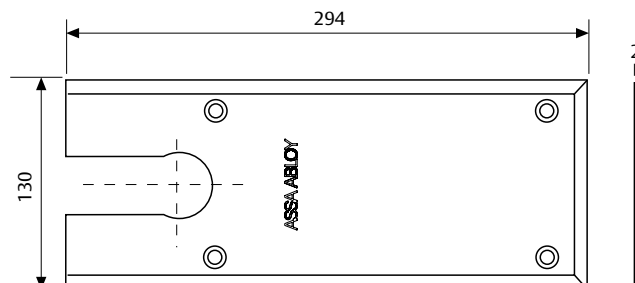
Left-hand door mounting (DIN Right).



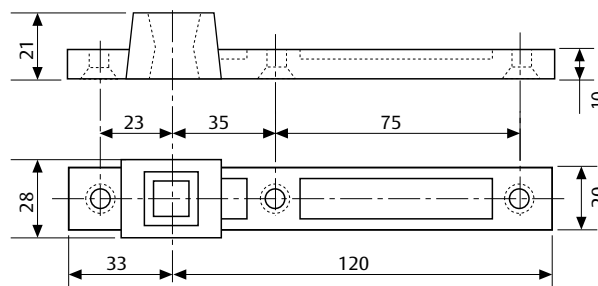
Right-hand door mounting (DIN Left).

# DC477

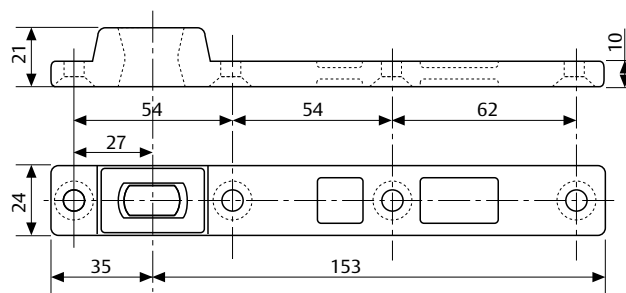
## Accessories



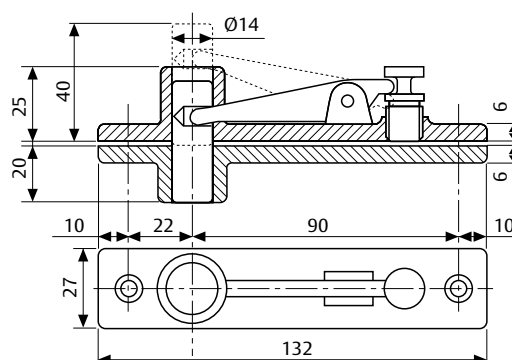
**AC269**  
Available in satin stainless steel, polished stainless steel and polished brass.



**AC115**  
Reversible bottom arm in steel for double action doors. Square Italian spindle



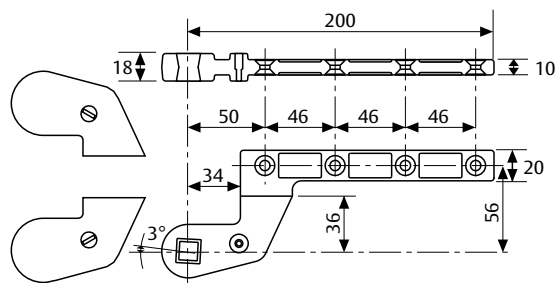
**AC393**  
Reversible bottom arm in steel for double action doors. Rectangular German spindle.



**AC8**  
Double action top pivot.

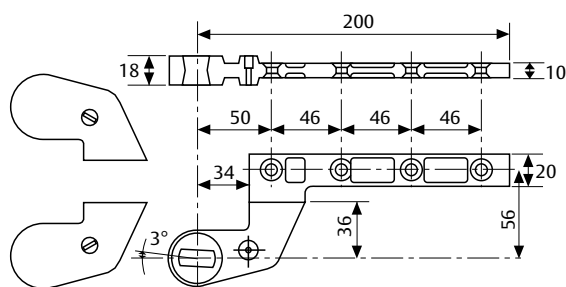
# DC477

## Accessories



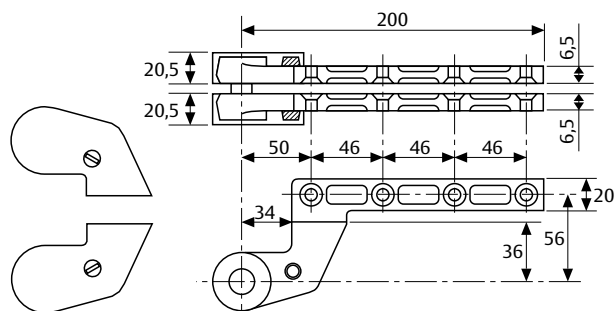
### AC583

Right and left bottom arm in steel for single action doors, 36 mm. offset. Square Italian spindle. Silver painted ABS covers.



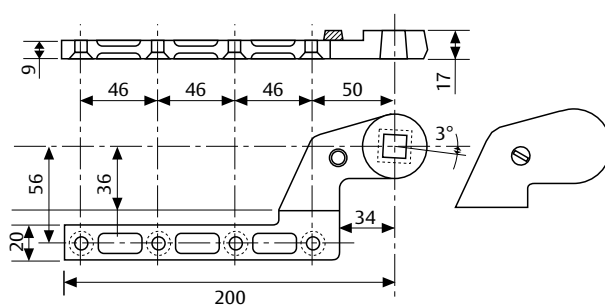
### AC392

Right and left bottom arm in steel for single action doors, 36 mm. offset. Rectangular German socket. Silver painted ABS covers.



### AC384

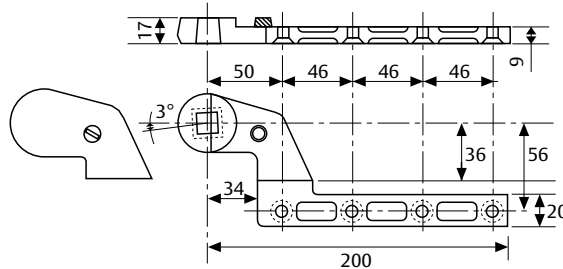
Double action top pivot in full steel 36 mm. offset. Silver painted ABS covers.



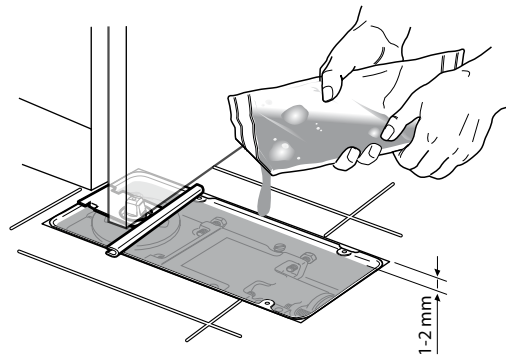
### AC373

Right bottom arm in steel for single action doors, 36mm. offset. Square French spindle. Silver painted ABS covers.

# DC477 Accessories

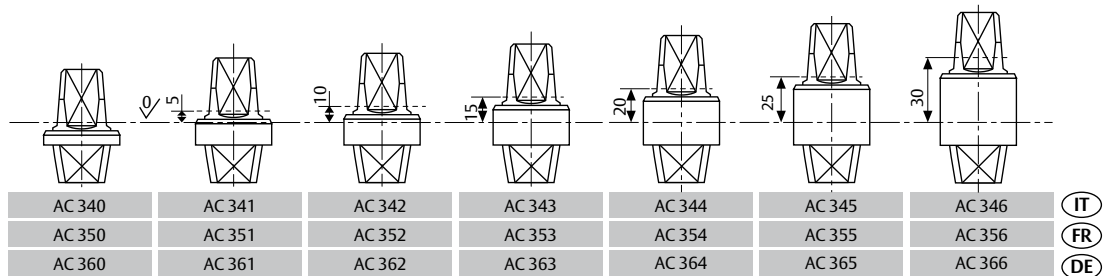


**AC374**  
Left bottom arm in steel for single action doors. Square French spindle. Silver painted ABS covers.



**AC612**  
Sealing Compound for floor springs.

### Detachable spindles



Description	Order no.	Description	Order no.
DC477.0 size 2-4, H.O. 105°		AC8 Double action top pivot.	
DC477.2 size 2-4, without H.O.		AC583 Right and left bottom arm. Square Italian spindle.	
DC477.5 size 2-4, H.O. 90°		AC392 Right and left bottom arm. Rectangular German socket.	
AC534 Cover plate satin stainless steel		AC384 Double action top pivot.	
AC534 Cover plate polished stainless steel		AC373 Right bottom arm. Square French spindle.	
AC534 Cover plate polished brass		AC374 Left bottom arm in steel for single action doors.	
Requested spindle (IT, FR, DE)		AC612 Sealing compound for floor springs.	
AC115 Reversible bottom arm. Square Italian spindle.			
AC393 Reversible bottom arm. Rectangular German spindle.			